



Cam-action  
door closers

# DORMA

# TS 92

# TS 91

2. Korrektur  
28-10-02

## The universal closers for standard doors – tested and approved to EN 1154

As units designed especially for interior applications, the DORMA TS 92 and TS 91 door closers constitute the perfect complement to the DORMA TS 93 cam-action door closer system. They likewise come in the Softline design and, thanks to their linear drive mechanism with heart-shaped cam, they offer the same ease of use.

Moreover, their competitive pricing combined with their outstanding level of assured quality make them particularly attractive from an economic standpoint as well.



### Benefits

#### for the trade

- Inexpensive cam-action technology for standard interior doors.
- Low storage costs and reduced inventory requirement thanks to uniform slide channels of the Softline series.

#### for the fabricator

- Non-handed.
- Easy to fix and quickly adjustable.

#### for the architect/specifier

- Excellent value for money.
- Uniform appearance throughout the entire Softline slide channel range.

#### for the user

- Exceptional ease of use and fully controlled closing action.
- Optimum adaptability of the closing speed with reliable latching thanks to two regulating valves.

Data and features		TS 92 B/G <sup>1)</sup>	TS 91 B
Closing force	EN size	2-4	3
Adjustable		●	-
Standard doors <sup>2)</sup>	up to 950 mm	-	●
	up to 1100 mm	●	-
External doors, outward opening <sup>2)</sup>		-	-
Fire and smoke check doors		●	●
Non-handed design		●	●
Arm assembly	Slide channel	●	●
Closing speed and latching action independently adjustable	180°-15°		
	15°- 0°	●	●
at two separate valves			
Cushioned limit stay, mechanical		○	○
Backcheck		-	-
Delayed action		-	-
Hold-open		○	○
Weight in kg		2,0	1,9
Dimensions in mm	Length	279	265
	Overall depth	47	47
	Height	65	65
Door closer approved to EN 1154		●	●

● yes - no ○ option

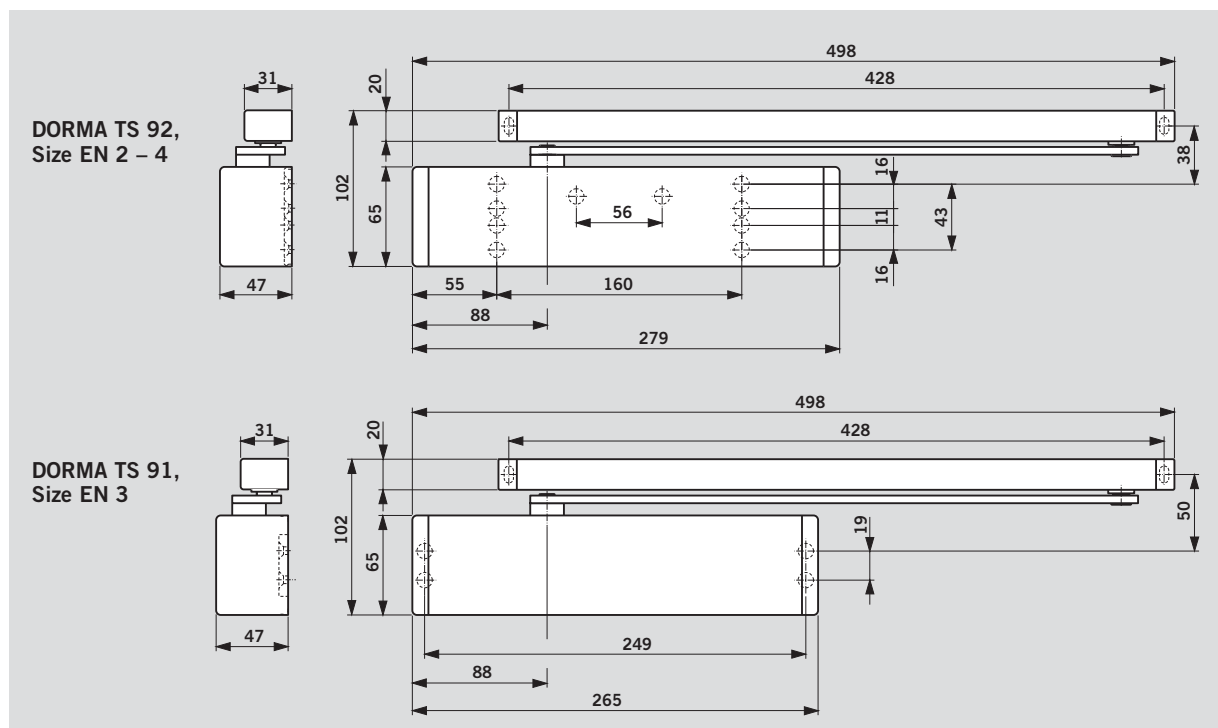
<sup>1)</sup> B = Standard model for pull-side door leaf fixing/push-side transom fixing.

G = Special model for push-side door leaf fixing/pull-side transom fixing.

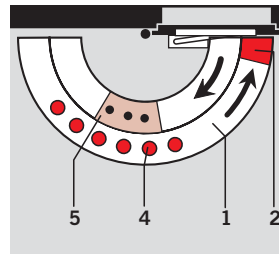
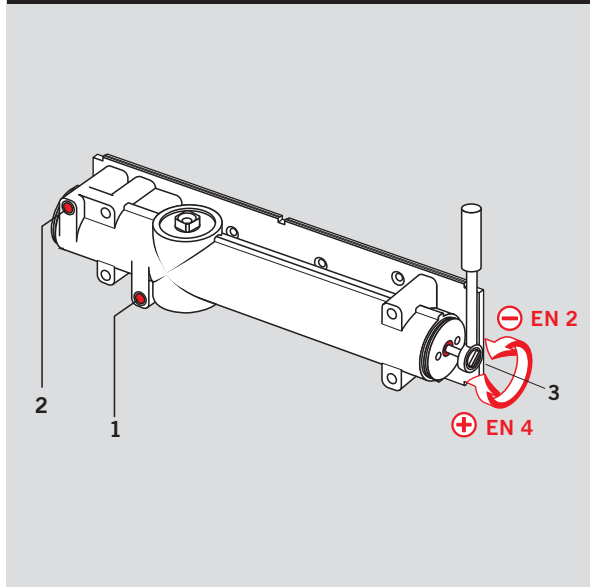
<sup>2)</sup> For particularly heavy doors and doors which have to close against wind resistance, we recommend the DORMA TS 93.



The TS 92/TS 91 complies with the requirements and/or recommendations of the following:  
CERTIFIRE approved for fire doors ITT 120; Ref. CF 119



DORMA TS 92 B/G

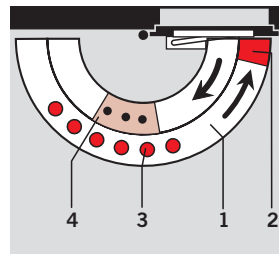
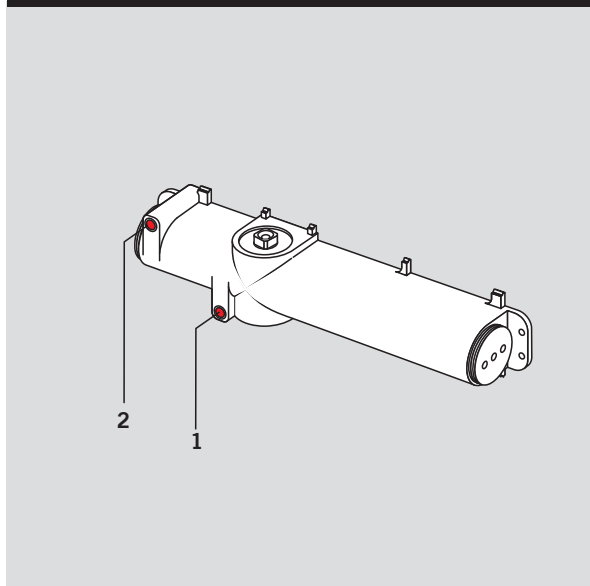


- 1 Variable closing speed in the range 180°–15°
- 2 Variable latching speed in the range 15°–0°
- 3 Infinitely variable closing force
- 4 Hold-open (option)
- 5 Cushioned limit stay (option)

The **closing speed** of the DORMA TS 92 is individually adjustable over two independent ranges at two separate valves.

The **closing force setting (spring strength)** for the relevant door width is adjusted with the DORMA TS 92 at an infinitely variable lateral adjustment screw.

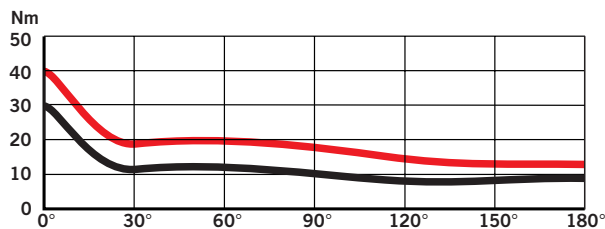
DORMA TS 91 B



- 1 Infinitely variable closing speed in the range 180°–15°
- 2 Infinitely variable latching speed in the range 15°–0°
- 3 Hold-open (option)
- 4 Cushioned limit stay (option)

The **closing speed** of the DORMA TS 91 is individually adjustable over two independent ranges at two separate valves.

The **closing force (spring strength)** in the DORMA TS 91 is permanently set to size EN 3.



**Force profile**  
Example: DORMA TS 92 B  
Closing force setting:  
size EN 4

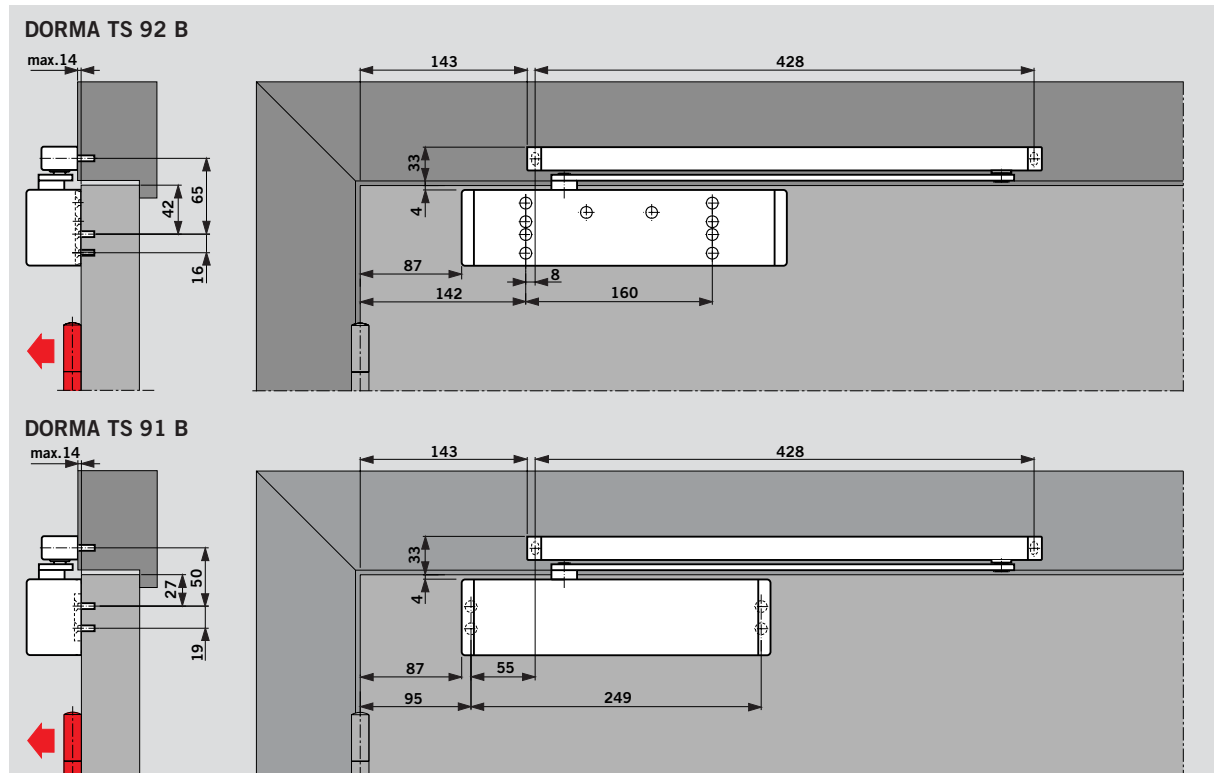
— Opening resistance  
— Closing force



The heart-shaped cam and the linear drive mechanism which characterise all DORMA cam-

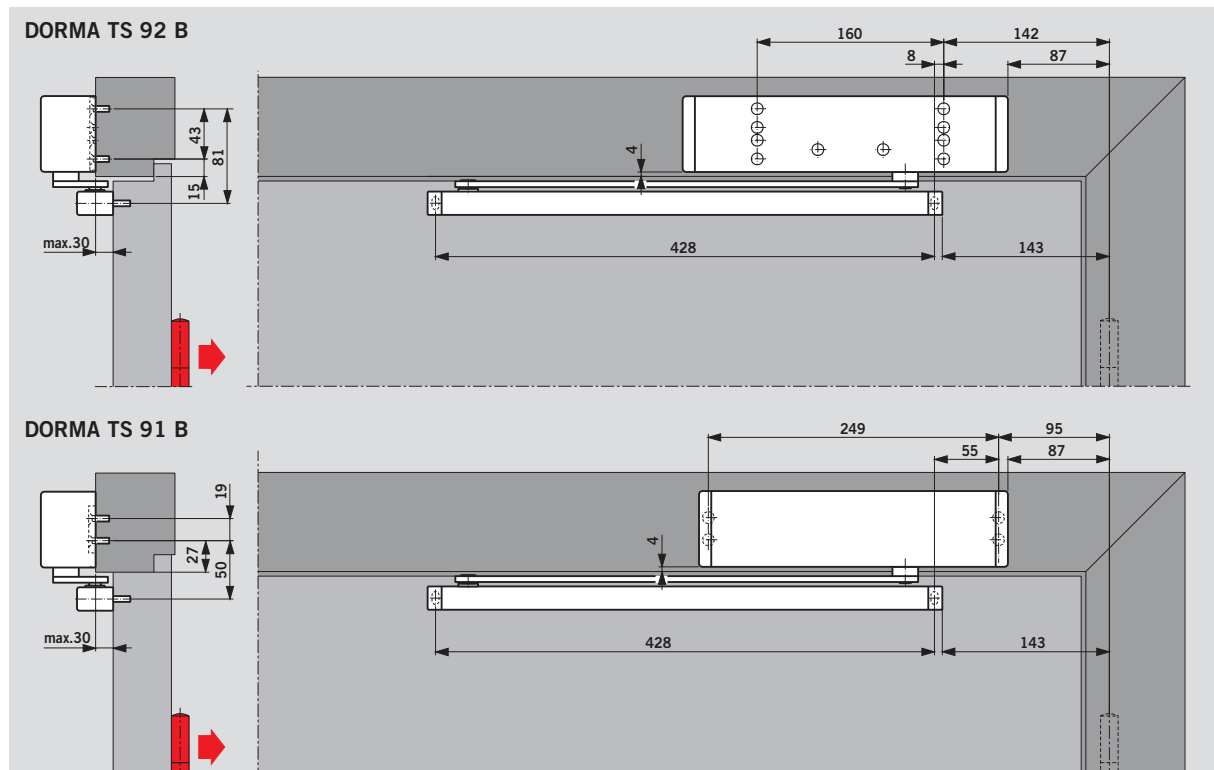
action door closers produce a rapidly decreasing opening torque, so greatly reducing the amount of effort required. This means that even children, the elderly and the disabled can open doors with ease. The user-friendliness of the system is further enhanced by the reliable latching action achieved by the fact that the closing force only rises in the end phase of the cycle.

## Door leaf fixing, pull side (example shows LH [ISO 6] door; RH [ISO 5] doors mirrored arrangement)



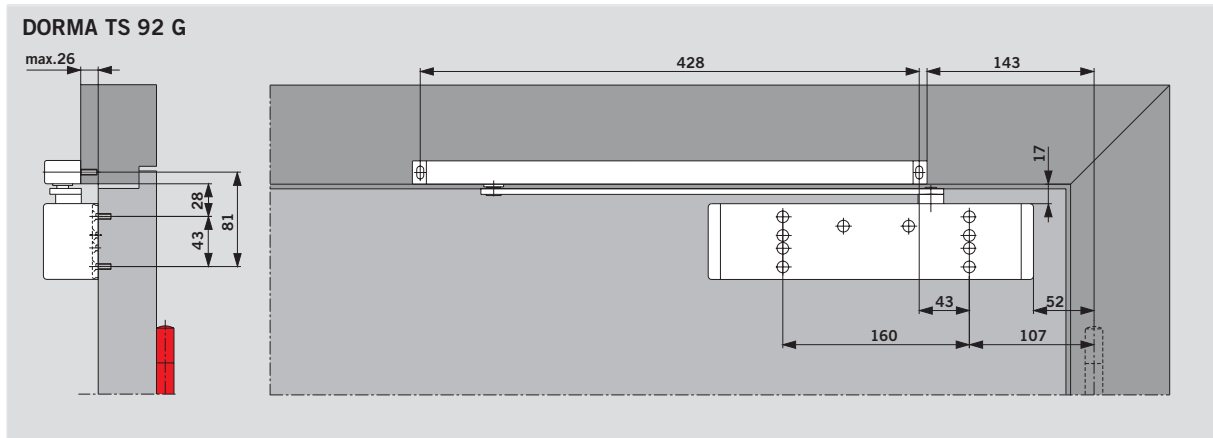
Provided the structural conditions allow, an opening angle of 180° is possible with this method of fixing. In most cases, however, a wall recess will have to be provided for the door closer.

## Transom fixing, push side (example shows LH [ISO 6] door; RH [ISO 5] doors mirrored arrangement)



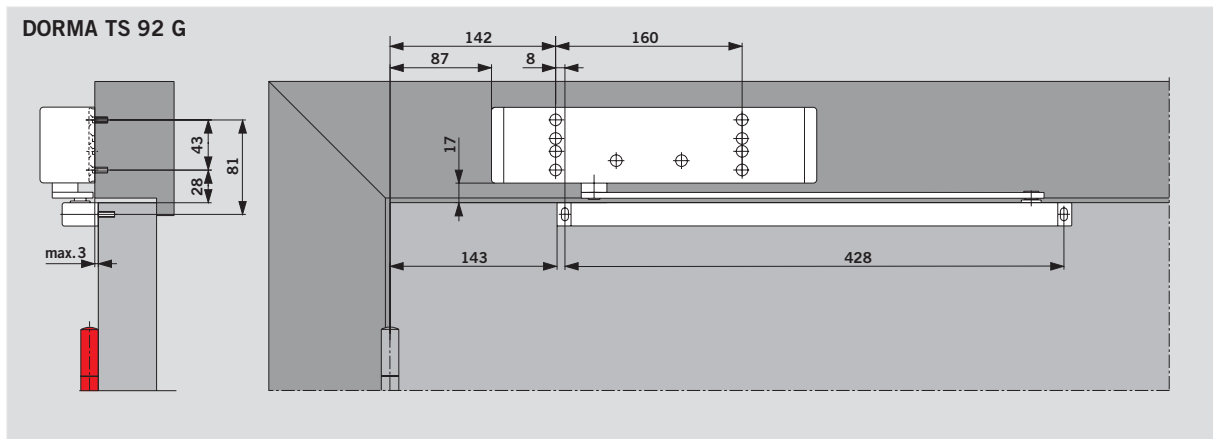
Depending on the structural conditions, the door opening angle with this method of fixing is limited to approx. 120° to 145°. In order to avoid damage to the door or door closer, users are recommended to install a cushioned backstay or a door stop.

## Door leaf fixing, push side (example shows LH [ISO 6] door; RH [ISO 5] doors mirrored arrangement)



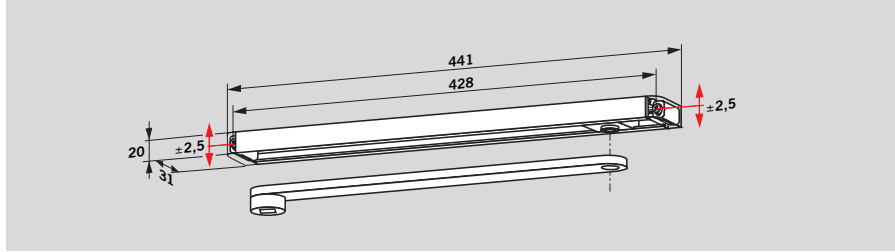
Depending on the structural conditions, the door opening angle with this method of fixing is limited to approx. 120° to 145°. In order to avoid damage to the door or door closer, users are recommended to install a cushioned backstay or a door stop.

## Transom fixing, pull side (example shows LH [ISO 6] door; RH [ISO 5] doors mirrored arrangement)



Provided the structural conditions allow, an opening angle of 180° is possible with this method of fixing.

## Slide channel

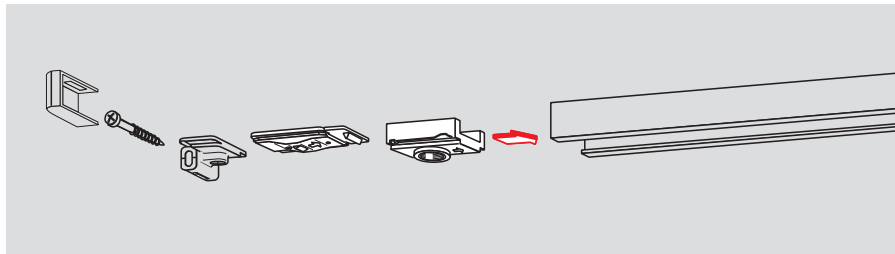


The **DORMA G-N** slide channel assembly comprises the main arm, slide channel, slide block, fixings, screws and end caps. The DORMA G-N slide channel

is non-handed and can be combined with both door closers. Thanks to oblong holes in the fixing pads, it is possible to compensate for deviations in the drill hole

pattern and to keep the door closer body and slide channel perfectly parallel.

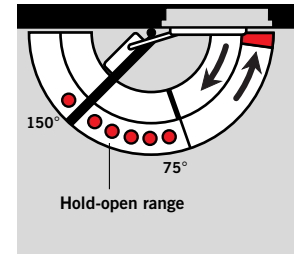
## Hold-open unit



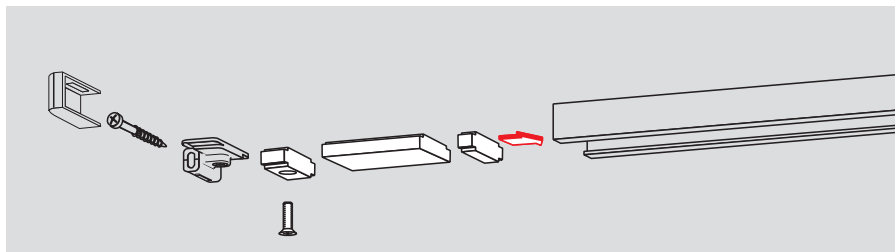
The DORMA RF mechanical hold-open unit ensures that doors are held open at precisely the correct angle – up to approx. 150° – without any fallback.

The hold-open unit can be switched on and off by the user as required, and the pull-off force can be adjusted to suit each individual door situation.

The DORMA RF hold-open unit is non-handed and can also be supplied for retrofitting to the slide channel at a later date.



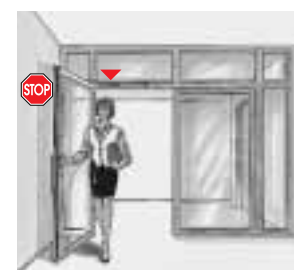
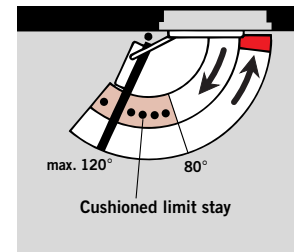
## Cushioned limit stay

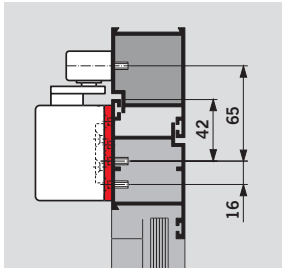


Cushioned limit stay simply slides into the slide channel. Adjustable between 80° and max. 120°. Also suitable for retrofitting.

Fitting a cushioned limit stay prevents doors which are opened normally from impacting against adjacent walls.

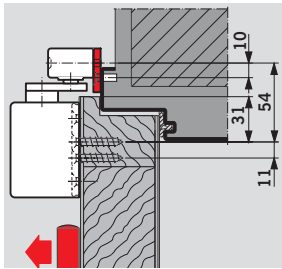
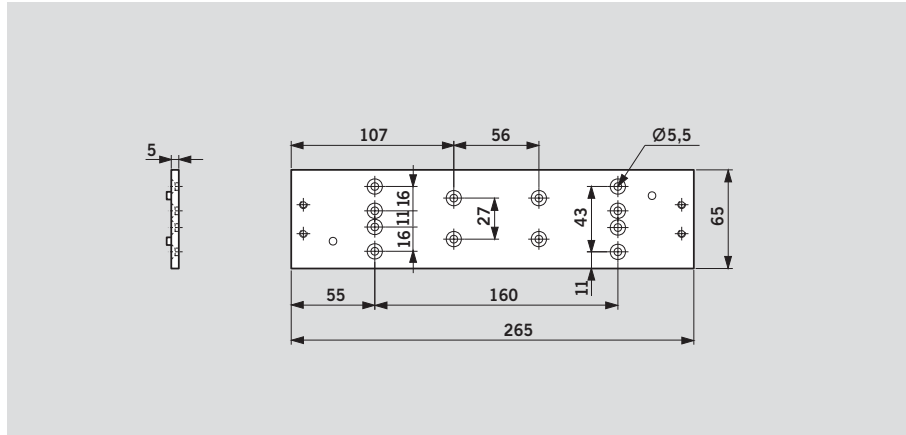
**The cushioned limit stay is not an overload protection device and in many applications will not be a suitable substitute for a door stop.**





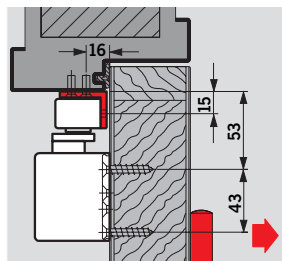
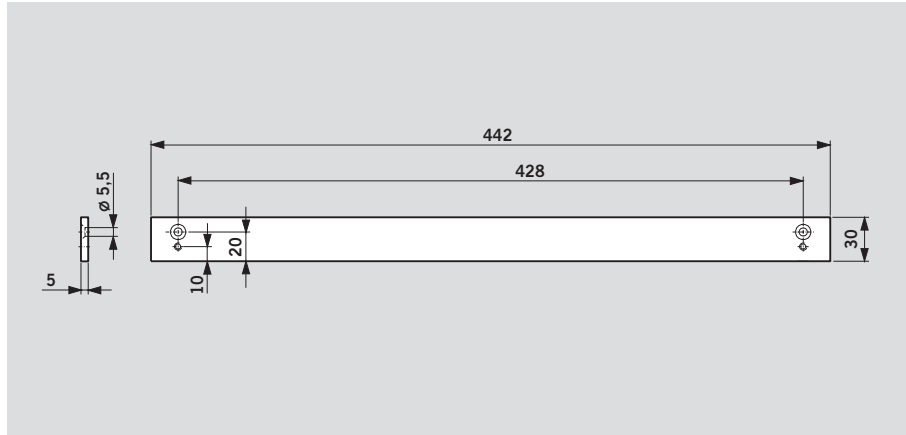
**Mounting backplate for DORMA TS 91**

For fixing to doors which provide no means of direct mounting.  
Fixing hole pattern as per Supplement 1 to EN 1154.



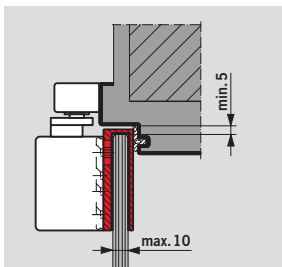
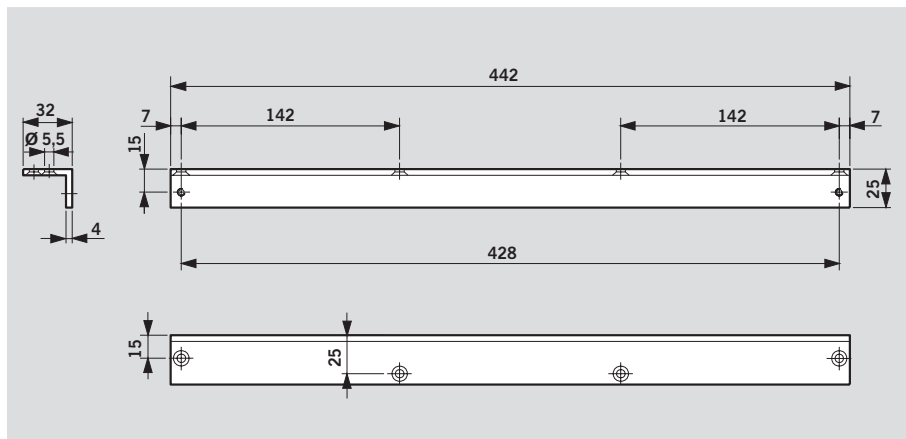
**Mounting backplate for G-N**

For fixing the slide channel to the door frame where there is no means of direct mounting.



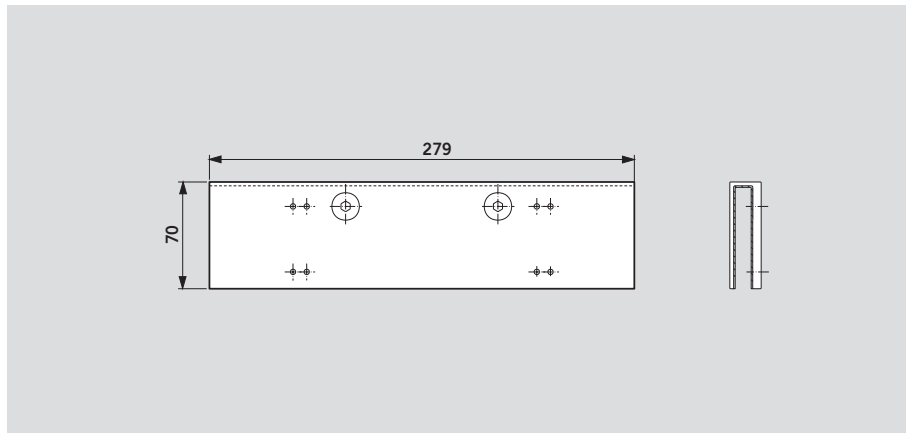
**Angle bracket for G-N**









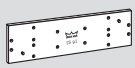

For push-side fixing of the slide channel to door frames with a deep reveal.



**Glass door saddle plate for DORMA TS 92**

For fixing the closer to toughened glass doors – No glass drilling or recessing required.



Standard equipment and accessories							
	Cam-action door closer TS 92 B	Cam-action door closer TS 92 G	Cam-action door closer TS 91 B	Mounting backplate for G-N	Angle bracket for G-N	Cushioned limit stay for G-N	Hold-open unit for G-N
	 Size EN 2-4 ■ 110201xx	 Size EN 2-4 ■ 110301xx	 Size EN 3 ■ 100201xx	 183400xx	 183600xx	 35800093	 18570000
<b>Slide channel G-N</b>  □ 180100xx	■	■	■	#	#	#	#
<b>Mounting backplate for TS 91</b>  100002xx			#				
<b>Glass door saddle plate for TS 92</b>  110001xx	#	#					

Order number:

■ = Closer body separate

□ = Arm assembly separate

# = Accessory

**Colour**

Silver

Dark brown

White (RAL 9010)

White (RAL 9016)

**xx**

01

03

10

11

The TS 92 is also available in our "Design" surface finishes.

Stainless steel "Design" 04

Polished brass 05

**Specification text TS 92 B/G**

Cam-action door closer, CERTIFIRE approved (CF 119), in Softline design with linear drive and rapidly decreasing opening resistance/torque, adjustable closing speed in two independent ranges and mounting backplate with universal fixing hole pattern; closing force infinitely variable between size EN 2 and EN 4. Non-handed. Approved to EN 1154.

**Model**

□ TS 92 B

□ TS 92 G

**Accessories**

- Hold-open unit
- Cushioned limit stay
- Mounting backplate for G-N
- Angle bracket for G-N
- Saddle plate for toughened glass doors

**Colour**

- Silver
- Dark brown
- White (sim. to RAL 9010)
- White (sim. to RAL 9016)
- Stainless steel "Design"
- Polished brass
- Special colour \_\_\_\_\_ (similar to RAL \_\_\_\_\_)

**Make**

- DORMA TS 92 B
- DORMA TS 92 G
- TS92

**Specification text TS 91 B**

Cam-action door closer, CERTIFIRE approved (CF 119), in Softline design with linear drive and rapidly decreasing opening resistance/torque, adjustable closing speed in two independent ranges and mounting backplate with universal fixing hole pattern; closing force EN 3. Non-handed. Approved to EN 1154.

**Accessories**

- Hold-open unit
- Cushioned limit stay
- Mounting backplate for G-N
- Mounting backplate

**Colour**

- Silver
- Dark brown
- White (sim. to RAL 9010)
- White (sim. to RAL 9016)
- Special colour \_\_\_\_\_ (similar to RAL \_\_\_\_\_)

**Make DORMA TS 91 B**

□ TS91

**DORMA Door Controls Ltd.**  
DORMA Trading Park  
Staffa Road  
GB-London E10 7QX  
Tel. +44 208/5 58 84 11  
Fax +44 208/5 58 61 22  
E-mail: hardware@dorma a-uk.co.uk  
www.dorma-uk.co.uk

**DORMA Door Controls Ltd.**  
19, Sandyford Office Park  
Foxrock  
IRL-Dublin 18  
Tel. +353 1/2 95 82 80  
Fax +353 1/2 95 85 84  
E-mail: dormadublin@dorma.com

**DORMA Door Controls Pte. Ltd.**  
No. 2, Jalan Terusan, Jurong  
Singapore 619285  
Tel. +65 62687633  
Fax +65 62657995

**DORMA Door Controls Pty. Ltd.**  
P.O. Box 1092  
Narre Warren Vic 3805  
52 Abbott Road  
Hallam/Victoria 3803  
Australia  
Tel. +61 3/97 96 35 55  
Fax +61 3/97 96 39 55

**DORMA Gulf Door Controls FZE**  
Jebel Ali Free Zone, Roundabout 8,  
Unit VC 02  
P.O. Box 17268  
Jebel Ali, Dubai  
United Arab Emirates  
Tel. +971 48/83 90 14  
Fax +971 48/83 90 15

**DORMA Door Controls (Pty.) Ltd.**  
Kings Court  
4A Mineral Crescent  
2135 Southdale  
ZA-2000 Crown/Gauteng  
Johannesburg  
Tel. +27 11/8 30 02 80  
Fax +27 11/8 30 02 91

**DORMA GmbH + Co. KG**  
P.O. Box 40 09  
D-58247 Ennepetal  
Breckerfelder Straße 42-48  
D-58256 Ennepetal  
Germany  
Tel. +49(0)23 33/7 93-0  
Fax +49(0)23 33/79 34 95

The address of a subsidiary/representation in your area you can find at the DORMA website:  
[www.dorma.com](http://www.dorma.com)