



Technical  
Documentation

PORTEO



reddot design award  
winner 2005



## PORTEO –the door assistant that adds convenience to doors

The PORTEO offers an innovative and convenient way to open and close doors effortlessly. With all the elegance of the DORMA Contur design, the PORTEO is specifically suited to interior doors, performing all the functions needed to make life just that little bit easier for all. High-quality DORMA technology makes the PORTEO particularly easy to operate – with minimum noise, high functional reliability and excellent application adaptability. The PORTEO is an integrated solution that comes in a complete package with slide channel and mounting backplate. It offers outstanding convenience and safety plus fast and easy installation, thanks to its impeccable “plug&go” credentials.

The PORTEO can be further functionalised with original DORMA system accessories to give even more operating convenience, user-friendliness and enhanced safety. In combination with an optional pushbutton and an electric strike, for example, the door can be simply opened with fingertip control. For even greater opening and closing convenience, there is also a hand-held transmitter available – there’s simply no more flexible a system. The PORTEO is the inexpensive solution for opening and closing doors the convenient way. Safe, reliable and readily retrofittable.

Certified to ISO 9001

### Benefits point for point

- Door assistant for swing doors
- Effortless opening and closing of swing doors up to a width of 1100 mm and a leaf weight of 80 kg.
- Compact dimensions 60 x 530 x 80 mm (H x W x D), particularly suitable for use in conjunction with narrow-stile and standard profile door systems.
- Extremely low overall height of just 60 mm.
- One model for all four fixing options: pull and push side, transom-fixed or leaf-fixed
- Easy installation thanks to “plug&go” supply, with standard mounting backplate
- Near-silent operation
- In DORMA Contur design, cubic lines, winner of the 2005 red dot award and “Le Janus de l’Industrie 2007“
- GGT-approved



Applications	
Interior doors, single-leaf <input checked="" type="checkbox"/>	
Door leaf width	≤1100 mm
Door leaf weight, max.	80 kg

PORTEO technical data	
Transom-fixed/Leaf-fixed	●
Push-side/Pull-side	●
Non-handed	●
Latching action with on/off switch	●
Dimensions H x W x D	60 x 530 x 80 mm
Weight	3,2 kg
Power supply data	230 V AC, 50/60 Hz
Power supply to external loads	24 V DC, 300 mA
Class of protection	IP 20
Low-energy mode	●
Compliant with DIN 18650	●
CE marking	●
GS mark, TÜV-approved	●

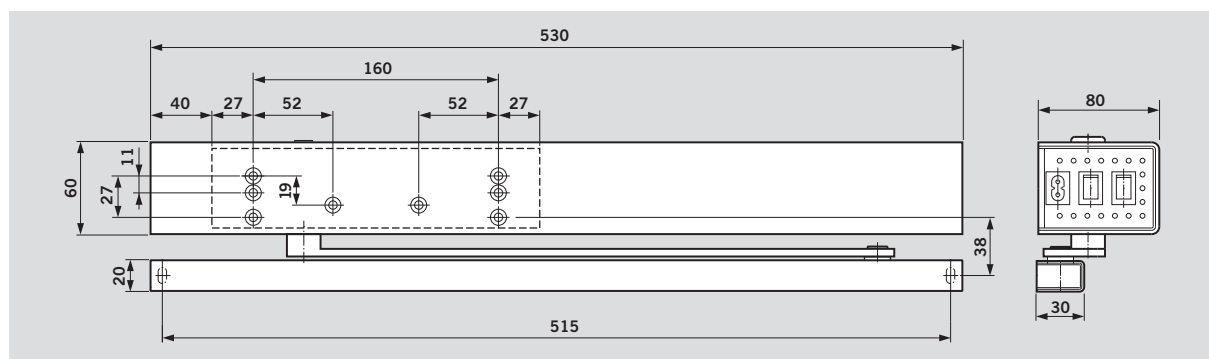
Adjustable parameters	
Opening time (0°–90°) adjustable	5 to 10 sec.
Closing time (90°–0°) adjustable	5 to 10 sec.
Hold-open time adjustable	5 to 30 sek.*
Opening angle adjustable, max.	110°

\* in operating mode PowerLess 0.5 to 30 sek.








Standard function modes	
PowerLess	●
Push&Go	●
PowerMotion	●
PermanentOpen	●
Obstruction detection	●
Anti-tamper safety disconnection	●




Prepared for following accessories	
Electric strike, e.g. DORMA Basic model	<input type="radio"/>
Hand-held transmitter, e.g. DORMA RC-T HandHeld	<input type="radio"/>
Pushbutton, e.g. DORMA System 55 devices	<input type="radio"/>

● Standard    ○ Option



### Standard functions

Operating mode	Door equipment	Settings	
		Programme switch	Potentiometer
 <p><b>PowerLess</b> Effortless manual door opening. Door closes automatically following individually preset hold-open time.</p>	<ul style="list-style-type: none"> <li>– Standard lock</li> <li>– Lever handle</li> </ul>	I	<p>1</p> 
 <p><b>Push&amp;Go</b> Once door opened manually 3°, automatic door opening function initiated. PORTEO then closes the door again automatically after pre-set hold-open time.</p>	<ul style="list-style-type: none"> <li>– Standard lock</li> <li>– Lever handle</li> </ul>	I	<p>1</p>  <p>Opening and closing time adjustable. Factory setting 10 sec. (max.)</p>
 <p><b>PowerMotion</b> Automatic opening and closing of door in combination with an electric strike and external activators such as manual push-button, radio remote control or transponder. As soon as signal transmitted and electric strike released, door automatically opens and then closes again after pre-set hold-open time.</p>	<ul style="list-style-type: none"> <li>– Standard lock</li> <li>– Electric strike</li> <li>– External activator</li> </ul>	I	<p>2</p>  <p>Hold-open time adjustable</p>
 <p><b>PermanentOpen</b> This function enables the door to be held open for as long as required. Door closes again on receipt of new signal, activated either from the programme switch (door lock must be disengaged) or by pressing a pushbutton twice (current impulse relay function).</p>		II	

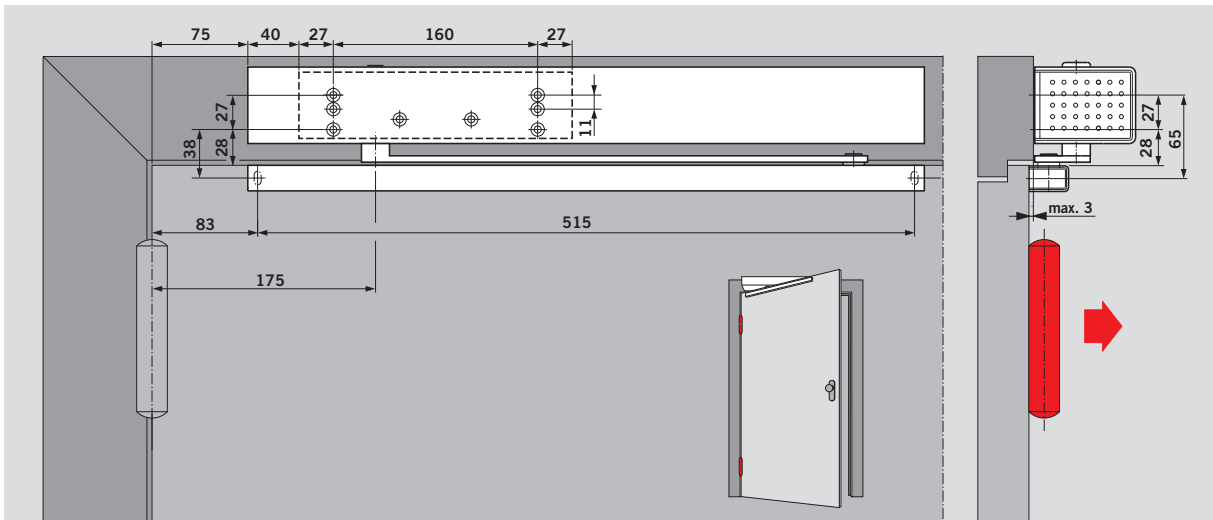
Programme switch modes	
	Switch position 0 = OFF
	Switch position I = PowerMotion
	Switch position II = PermanentOpen



Main power switch must be "ON" to activate operating modes.

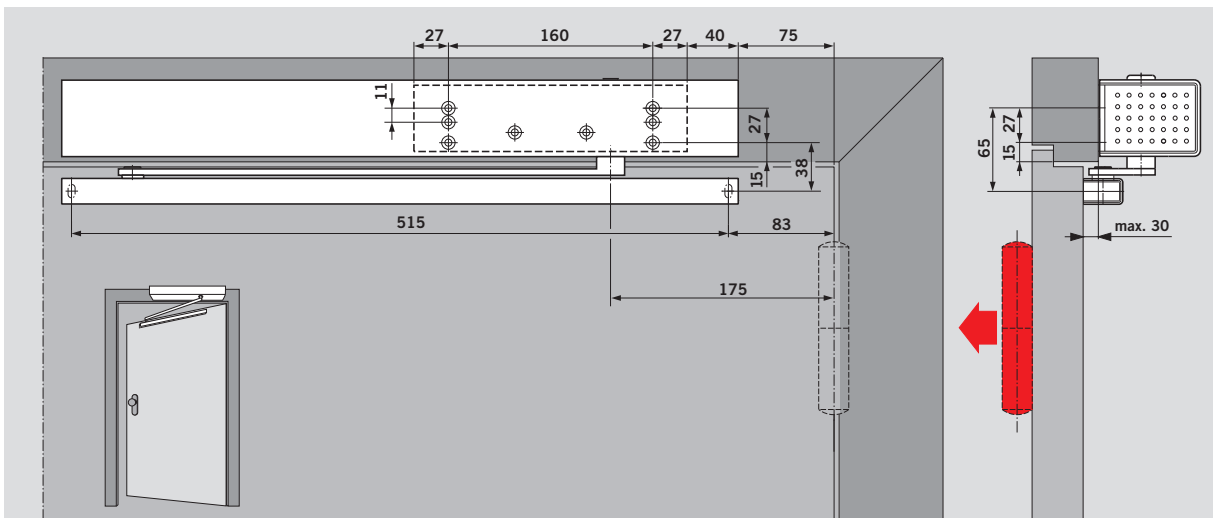
### Transom-fixed, pull side

(Example refers to left-hand (ISO 6) door; mirror image applies to right-hand (ISO 5) door)



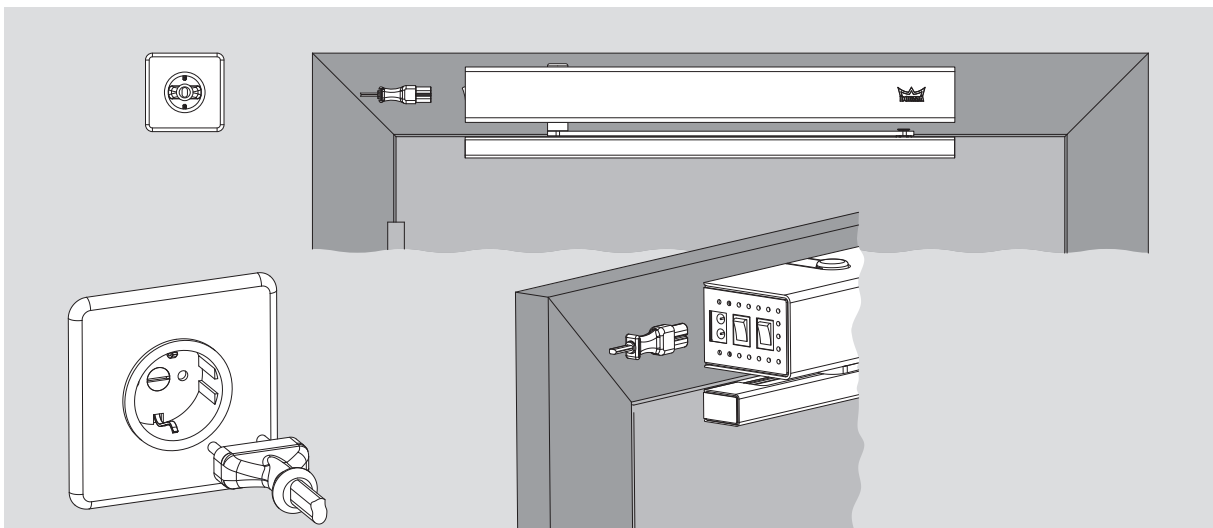
### Transom-fixed, push side

(Example refers to left-hand (ISO 6) door; mirror image applies to right-hand (ISO 5) door)



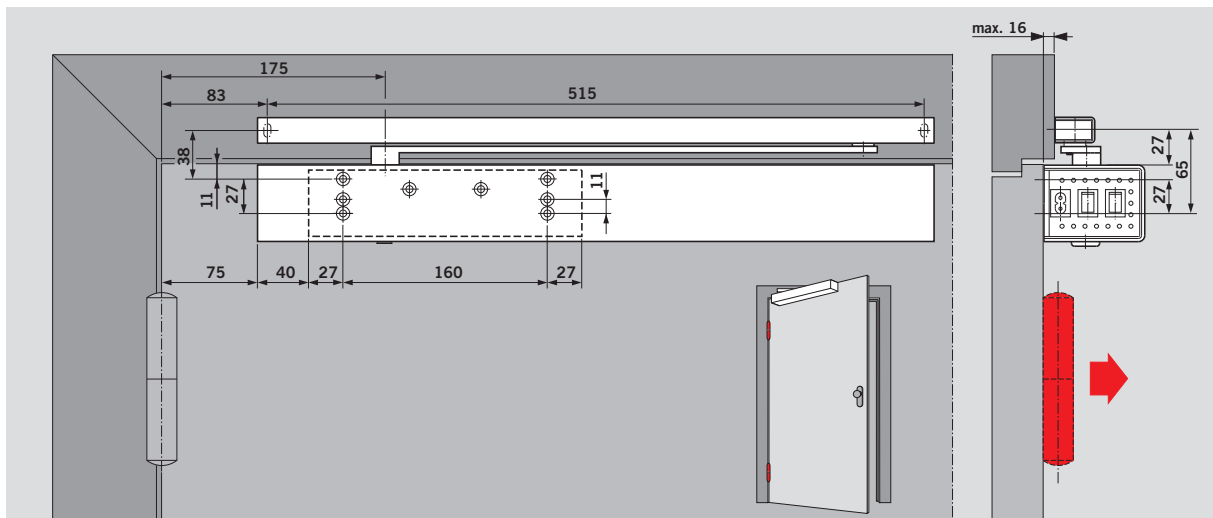
### Plug&Go Power connector for mains outlet

(Example refers to left-hand (ISO 6) door; mirror image applies to right-hand (ISO 5) door)



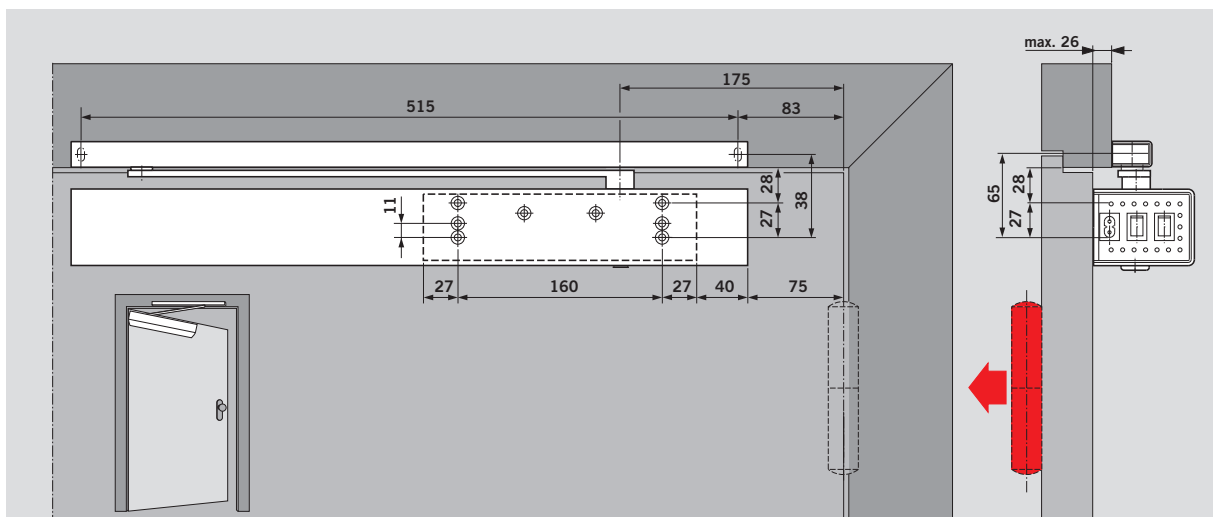
## Leaf-fixed, pull side

(Example refers to left-hand (ISO 6) door; mirror image applies to right-hand (ISO 5) door)

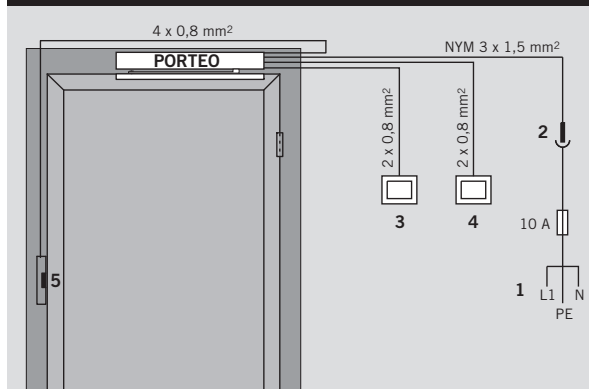


## Leaf-fixed, push side

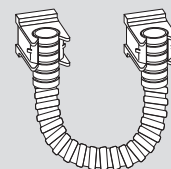
(Example refers to left-hand (ISO 6) door; mirror image applies to right-hand (ISO 5) door)



### Cable diagram

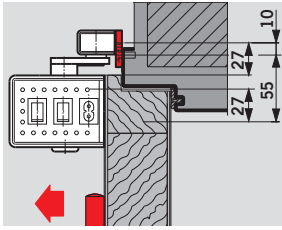


### Type 500 flexible cable conduit



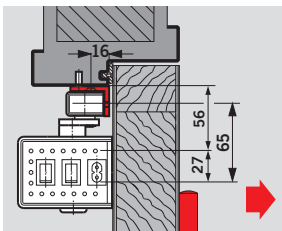
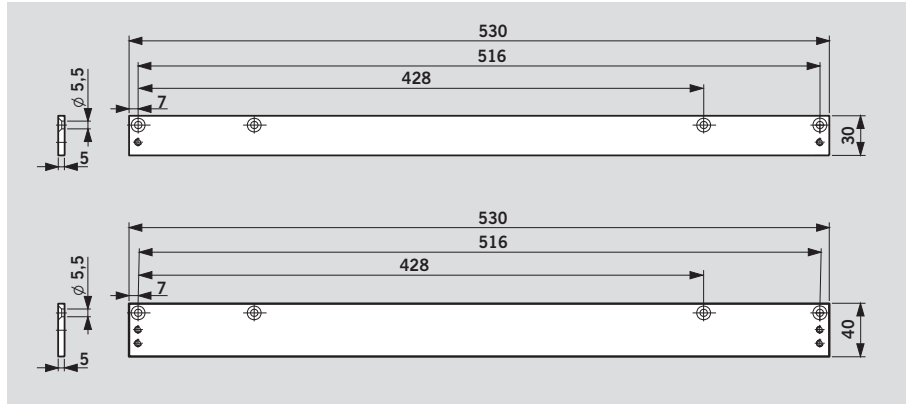
The safe and reliable solution from DORMA for protecting the cables required for door-leaf fixing.

- 1 Power feeder, permanent connection
- 2 2-pole-and-earth socket
- 3 Internal pushbutton
- 4 External pushbutton
- 5 Electric strike



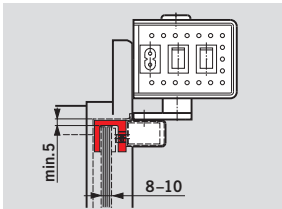
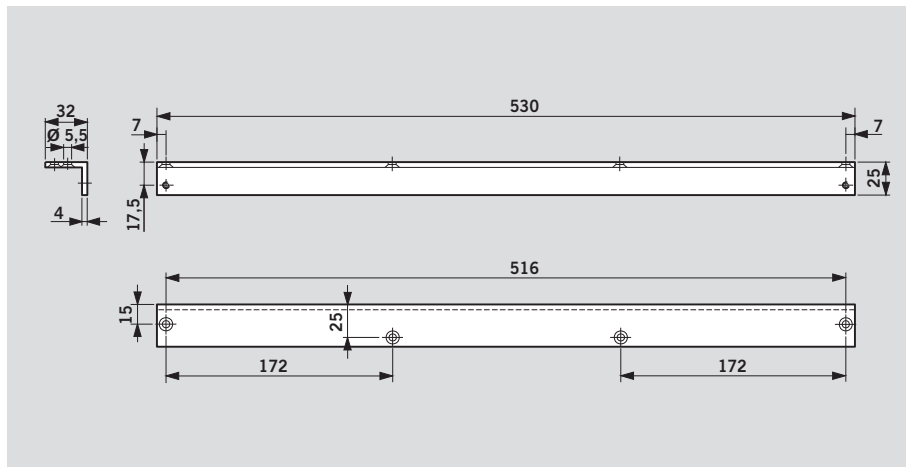
**Mounting backplate 30 mm or 40 mm**

For fixing the slide channel to door frames for which direct installation is not possible.



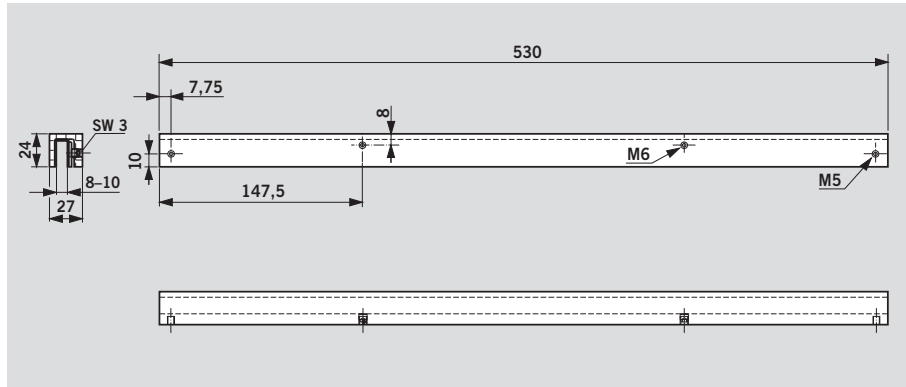
**Angle bracket**

For fixing the slide channel to door frames with a deep top jamb, for push-side transom fixing. For top jamb depths of -20 to +200 mm with optional projecting arm assembly



**Glass saddle plate**

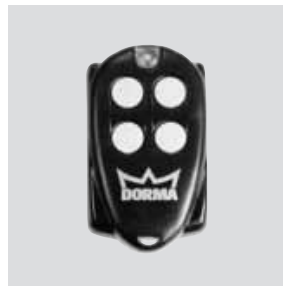
For fixing the slide channel to all-glass doors – no glass machining necessary. Transom-fixing on the pull side only.



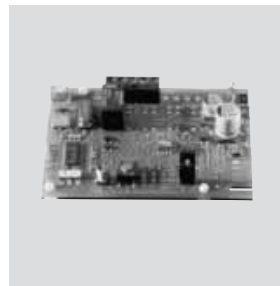
**Optional activators, radio receivers, electric strikes**



Manual pushbutton, System 55



Radio transmitter RC-T HandHeld

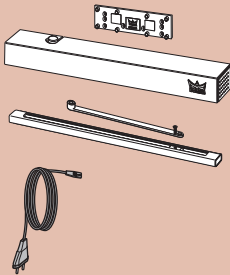



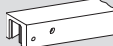








Radio receiver RC-R



Electric strike type Basic

### Standard equipment and accessories

<b>PORTEO 230 V</b>  <b>600100xx</b>	<b>Angle bracket</b>  600410xx	<b>Mounting backplate 30 mm</b>  600411xx	<b>Mounting backplate 40 mm</b>  600412xx	<b>Glass saddle plate</b>  600413xx	<b>Flexible cable conduit type 500</b>  60041401
	<b>Electric strike Fail-secure type Basic</b>  15117124	<b>Fail-safe type Basic-Safe</b>  15137124	<b>Strike plate FLM 24</b>  15180224	<b>Manual pushbutton System 55</b>  19144701170	<b>Radio transmitter RC-T HandHeld</b>  16562101170

<b>Colour</b>	<b>xx</b>
Silver	01
White (sim. to RAL 9016)	11

### Specification text for the DORMA PORTEO Door Assistant

Electro-mechanical door assistant operating in low-energy mode (for force limitation) to DIN 18650, including slide channel and mounting backplate, with CE mark, in DORMA Contur design.

Operating options:  
 PowerLess (effortless opening, automatic closing) or PowerMotion (automatic opening and closing).  
 Opening and closing speeds, hold-open time and opening angle adjustable.  
 Latching action as standard.  
 Non-handed. Mounting backplate with universal fixing hole pattern. For transom or leaf-fixing on the pull or push side.

#### Door parameters

- Single-leaf interior doors, not suitable for fire and smoke check doors
  - Door parameters
  - Single-leaf interior doors, not suitable for fire and smoke check doors
  - Door leaf widths: max. 1100 mm (dependent on door weight)
  - Door leaf weight per leaf: max. 80 kg (dependent on door width)
  - Opening angle per door leaf: min. 100° in any fixing pattern
  - Operator dimensions: 60 mm x 530 x 80 mm (H x W x D)
  - Programme switch operating modes (0 I II):  
 0 = OFF, I = PowerMotion, II = PermanentOpen
- Extended functional options:
- PowerLess (adjustable via potentiometer)
  - Push&Go (always active in the PowerMotion mode)
  - Power supply data: 230 V AC, 50/60 Hz, integrated system ready for connection

#### Model particulars

- Complete package including slide channel and mounting backplate suitable for all four fixing patterns

#### Colour

- Silver
- White, sim. to RAL 9016

#### Electric strike options:

- Fail-secure; closes when de-energised;  
Type:
- Fail-safe, opens when de-energised;  
Type:

#### Activator options:

- Manual pushbutton;  
Type:
- Hand-held transmitter;  
Type:
- Receiver for hand-held transmitter;  
Type:

Tested according to the "Guidelines for Powered Windows, Doors and Gates", BGR 232, DIN 18650-1/2 (12/2005 issue), EMC (CE mark), GS mark (TÜV type approval test) and VDE regulations, latest issue in each case. Manufacture certified to ISO 9001.

**Make:** DORMA Porteo

 Porteo



[www.dorma.com/porteo](http://www.dorma.com/porteo)

## DORMA worldwide

### Central Europe

DORMA GmbH + Co. KG  
Breckerfelder Str. 42-48  
D-58256 Ennepetal  
Phone +49 2333 793-0  
Fax +49 2333 793-495

### Australia

DORMA Door Controls Pty. Ltd.  
46-52, Abbott Road  
Hallam/Victoria 3803  
Australia  
Phone +61 3979 63555  
Fax +61 3979 63955

DORMA BWN Automatics Pty. Ltd.

46-52, Abbott Road

Hallam/Victoria 3803

Australia

Phone +61 3979 64111

Fax: +61 3979 63767

### China/Hong Kong

DORMA Door Controls  
(Suzhou) Co. Ltd.  
No. 9, Hong Feng Road  
Suzhou Singapore Industrial Park  
Suzhou, 215021  
P.R. of China  
Phone +86 512 67612481  
Fax +86 512 67614582

DORMA Door Controls Ltd.  
Room 701, Technology Plaza  
651 King's Road  
North Point

Hong Kong

Phone +852 25034632

Fax +852 28875370

### Emerging Markets

DORMA GmbH + Co. KG  
Breckerfelder Str. 42-48  
D-58256 Ennepetal  
Phone +49 2333 793-0  
Fax +49 2333 793-495

DORMA Door Controls (Pty.) Ltd.

Kings Court, 4A Mineral Crescent

ZA-2000 Crown/Gauteng

South Africa

Phone +27 11 8300280

Fax +27 11 8300291

### Far East

DORMA Far East Pte. Ltd.  
31 Gul Lane  
Singapore 629425  
Phone +65 6268 7633  
Fax +65 6265 7995

### France

DORMA France S.A.S.  
Europarc  
42, rue Eugène Dupuis  
F-94046 Créteil  
Phone +33 1 41942400  
Fax +33 1 41942401

DORMA Accueil S.A.S.  
ZAC de l'Echangeur  
Rue Saint Eloi  
F-73100 GRESY SUR AIX  
Phone +33 4 79348924  
Fax +33 4 79348923

### Gulf

DORMA Gulf Door Controls FZE  
Jebel Ali Free Zone South  
Plot No. S 20135  
Road No. SW 301 G  
P.O. Box 17268  
Dubai - United Arab Emirates  
Phone +971 4 8020400  
Fax +971 4 8869100/8869101

DORMA Arabia Automatic Doors Ltd.

P.O. Box 1633

Dammam 31441

Kingdom of Saudi Arabia

Phone +966 38 472394

Fax +966 38 472368

### North America

DORMA Architectural Hardware  
DORMA Drive, Drawer AC  
Reamstown, PA 17567-0411  
Phone +1 800 5238483  
Fax +1 800 2749724

DORMA Automatics, Inc.

924 Sherwood Drive

Lake Bluff, IL 60044 - USA

Phone +1 877 367-6211

Fax +1 877 423-7999

### Scanbalt

DORMA Sverige AB  
Datavägen 20  
SE-43632 Askim  
Phone +46 31 289520  
Fax +46 31 281739

### South America

DORMA Sistemas de Controles  
para Portas Ltda.  
Av. Piracema, 1400  
Centro Empresarial Tambore  
CEP 06460-933 Barueri/  
São Paulo, Brasil  
Phone +55 11 46899200  
Fax +55 11 46899215

### South-East Europe

DORMA Austria GmbH  
Pebering Strass 22  
A-5301 Eugendorf  
Phone +43 6225 284880  
Fax +43 6225 28491

DORMA AKS Automatic GmbH

Pebering Strass 22  
A-5301 Eugendorf  
Phone +43 6225 8636-0  
Fax +43 6225 265900

### South Europe

DORMA Italiana S.r.l.  
Via. Canova 44/46  
I-20035 Lissone (MI)  
Phone +39 039 244031  
Fax +39 039 24403310

DORMA Ibérica, S.A.  
Camino San Martín de la Vega, 4  
E-28500 Arganda del Rey (Madrid)  
Phone +34 91 8757850  
Fax +34 91 8757881

### UK/Ireland

DORMA UK Ltd.  
Wilbury Way, Hitchin  
GB-Hertfordshire SG40AB  
Great Britain  
Phone +44 1462 477600  
Fax +44 1462 477601



Door Control



Automatic



Glass Fittings  
and Accessories



Security/Time  
and Access (STA)



Movable Walls



4 021226 1322017